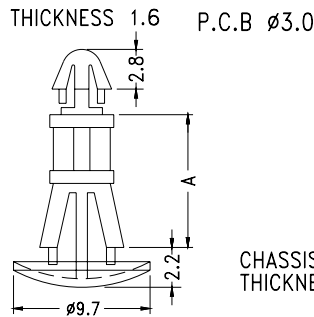
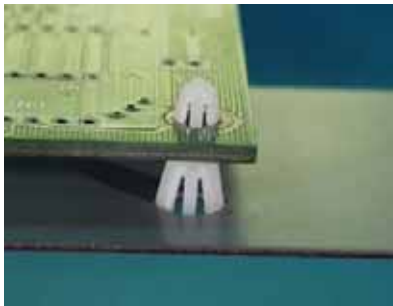
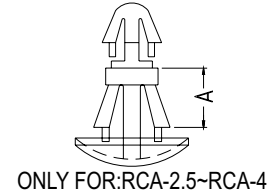
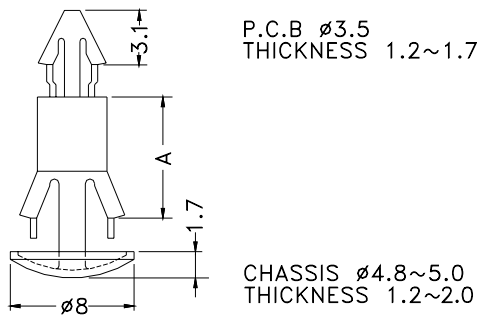


PART NO	A	PACKAGE
RCA-2.5	2.5	2000
RCA-3	3.2	
RCA-4	4.0	
RCA-5	5.0	
RCA-6	6.0	
RCA-7	7.0	1000
RCA-8	8.0	
RCA-9	9.0	
RCA-10	10.0	
RCA-12	12.0	
RCA-14	14.0	
RCA-16	16.0	

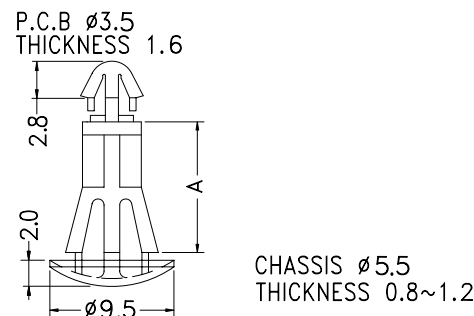
- ◆ MATERIAL: NYLON 66(UL)
- ◆ FLAME CLASS :94V-2
- ◆ COLOR:NATURAL
- ◆ UNIT:mm



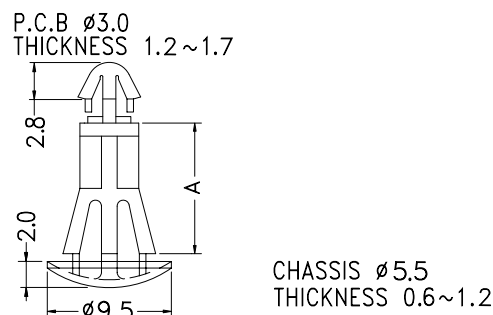
PART NO	A	PACKAGE
RCC-5	5.0	2000
RCC-6	6.3	
RCC-8	8.0	1000
RCC-10	10.0	
RCC-12	12.7	



PART NO	A	PACKAGE
RCT-4.5	4.5	1000
RCT-8	7.9	

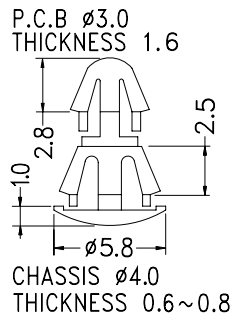


PART NO	A	PACKAGE
RCH-3.5	3.5	1000
RCH-5	4.8	
RCH-6.35	6.35	
RCH-7	7.0	
RCH-8	8.0	
RCH-10	10.0	
RCH-11	11.0	
RCH-12.7	12.7	
RCH-15.9	15.9	

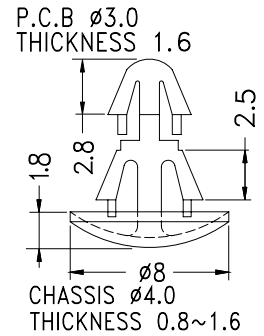


PART NO	A	PACKAGE
RCG-3.5	3.5	1000
RCG-5	4.8	
RCG-6.35	6.35	
RCG-7	7.0	
RCG-8	8.0	
RCG-10	10.0	
RCG-11	11.0	
RCG-12.7	12.7	
RCG15.9	15.9	

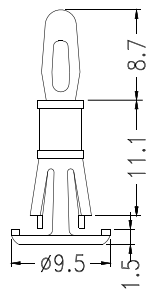
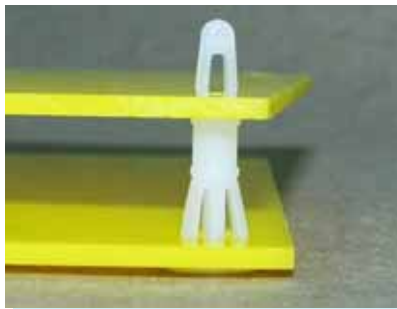
- ◆ MATERIAL: NYLON 66(UL)
- ◆ FLAME CLASS :94V-2
- ◆ COLOR:NATURAL
- ◆ UNIT:mm



PART NO	PACKAGE
RCA-2.5U	2000



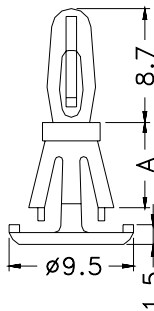
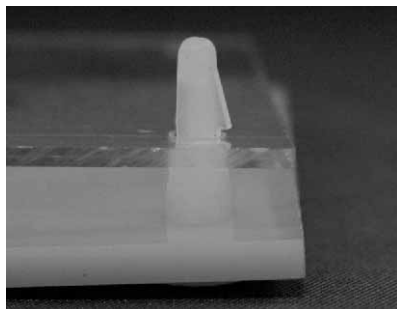
PART NO	PACKAGE
RCO-2.5	2000



P.C.B ϕ 3.2
THICKNESS 1.6

P.C.B ϕ 4.8
THICKNESS 1.5~1.6

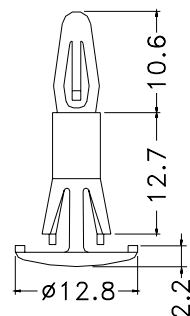
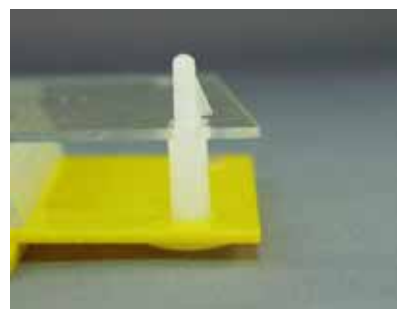
PART NO	PACKAGE
RCV-11.1	1000



P.C.B ϕ 3.2
THICKNESS 1.2~1.7

P.C.B ϕ 4.8
THICKNESS 1.5~1.6

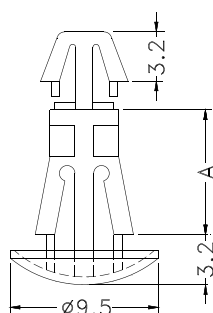
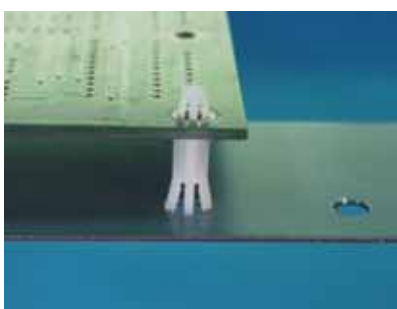
PART NO	A	PACKAGE
RCW-6.5	6.5	1000
RCW-9.7	9.7	



P.C.B ϕ 4.0
THICKNESS 1.2~1.7

P.C.B ϕ 5.5
THICKNESS 1.0~1.5

PART NO	PACKAGE
RCR-12.7	1000



P.C.B ϕ 4.0
THICKNESS 1.0~1.7

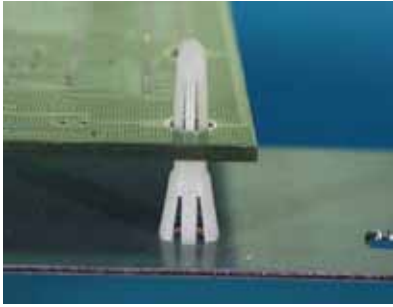
CHASSIS ϕ 4.8
THICKNESS 0.8~1.2

PART NO	A	PACKAGE
RCD-3	3.0	2000
RCD-6	6.3	
RCD-8	8.0	
RCD-10	10.0	
RCD-11	11.0	

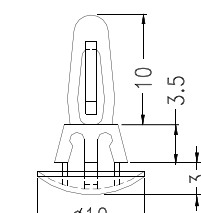
SPACER SUPPORT - Button / Clip Type

Hankook Fastener

- ◆ MATERIAL: NYLON 66(UL)
- ◆ FLAME CLASS :94V-2
- ◆ COLOR:NATURAL
- ◆ UNIT:mmm



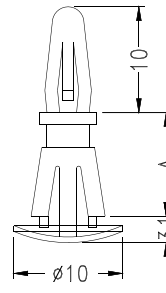
P.C.B ϕ 4.0
THICKNESS 1.2~1.7



CHASSIS ϕ 5.5
THICKNESS 0.8~1.6

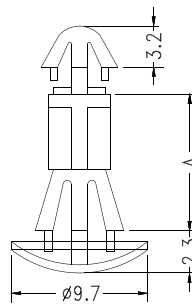
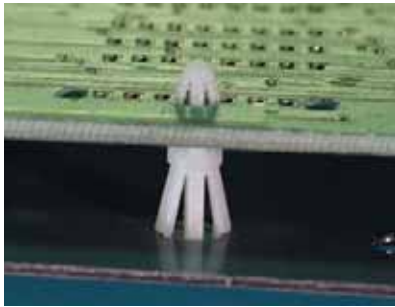
PART NO	PACKAGE
PCBS-3	1000

P.C.B ϕ 4.0
THICKNESS 1.6



CHASSIS ϕ 5.5
THICKNESS 1.0~1.7

PART NO	A	PACKAGE
PCBS-6	6.3	1000
PCBS-10	10.0	
PCBS-12A	12.0	
PCBS-12	12.7	



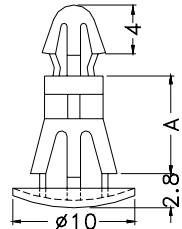
P.C.B ϕ 4.0
THICKNESS 1.2~1.7

CHASSIS ϕ 5.0
THICKNESS 0.8~1.8

PART NO	A	PACKAGE
RCS-6	6.0	1000
RCS-16	16.0	



P.C.B ϕ 4.0
THICKNESS 1.2~1.7

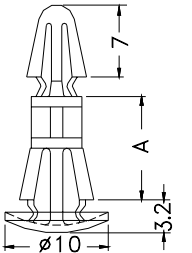


CHASSIS ϕ 5.5
THICKNESS 1.2~1.8

PART NO	A	PACKAGE
RBS-6	6.0	1000
RBS-7	7.0	
RBS-8	8.0	
RBS-10	10.0	
RBS-12	12.0	
RBS-14	14.0	
RBS-18	18.0	

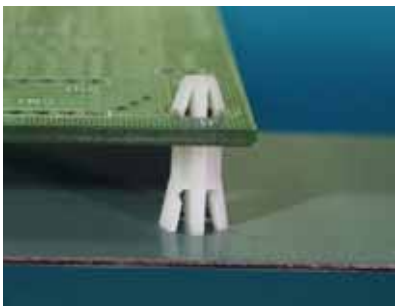


P.C.B ϕ 4.0
THICKNESS 1.2~1.7

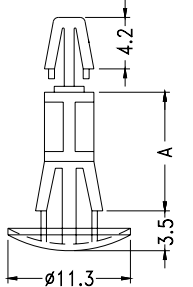


CHASSIS ϕ 5.5
THICKNESS 1.2~1.6

PART NO	A	PACKAGE
RBT-19	19.0	1000
RBT-28.2	28.2	



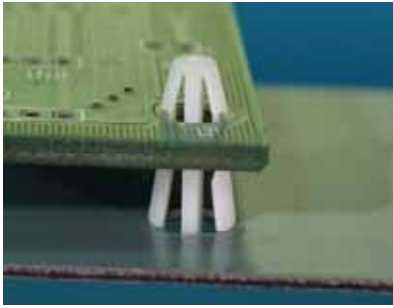
P.C.B ϕ 4.0
THICKNESS 1.2~1.7



CHASSIS ϕ 5.5
THICKNESS 1.5~2.2

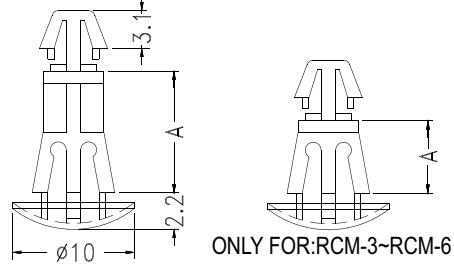
ONLY FOR:RCB-3~RCB-8

PART NO	A	PACKAGE
RCB-3	3.5	1000
RCB-5	5.0	
RCB-6	6.35	
RCB-8	8.0	
RCB-10	10.0	
RCB-12	12.7	
RCB-15	15.9	
RCB-19	19.0	500
RCB-25	25.4	
RCB-35	35.5	



- ◆ MATERIAL: NYLON 66(UL)
- ◆ FLAME CLASS :94V-2/94V-0
- ◆ COLOR:NATURAL
- ◆ UNIT:mm

P.C.B $\phi 4.0$
THICKNESS 1.2~1.7

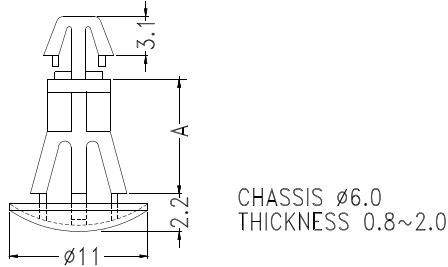


CHASSIS $\phi 5.5$
THICKNESS 0.8~1.6

PART NO	A	PACKAGE
RCM-3	3.5	1000
RCM-3V0	3.5	
RCM-5	5.0	
RCM-6	6.35	
RCM-7	7.0	
RCM-8	8.0	
★RCM-8.5	8.5	
RCM-10	10.0	
RCM-12A	12.0	
RCM-12	12.7	
★RCM-13.5	13.5	
RCM-14	14.0	
★RCM-15	15.2	
RCM-16	15.9	
RCM-18	18.0	
RCM-19	19.0	
RCM-22	21.7	500
RCM-24	24.0	
RCM-25	25.4	
RCM-30	30.0	

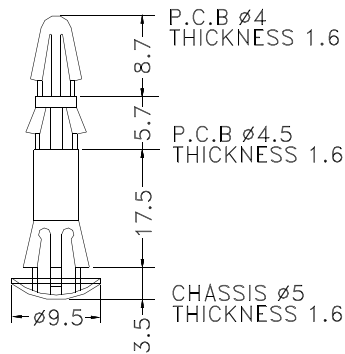


P.C.B $\phi 4.0$
THICKNESS 1.2~1.7



CHASSIS $\phi 6.0$
THICKNESS 0.8~2.0

PART NO	A	PACKAGE
RCF-5	5.0	2000
RCF-6	6.35	
RCF-8	8.0	1000
RCF-10	10.0	
RCF-12	12.7	
RCF-15	15.9	



CHASSIS $\phi 5$
THICKNESS 1.6

PART NO	PACKAGE
DRCB-18	1000