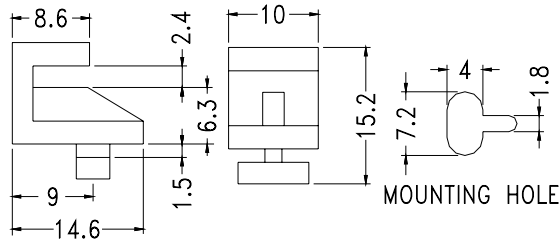
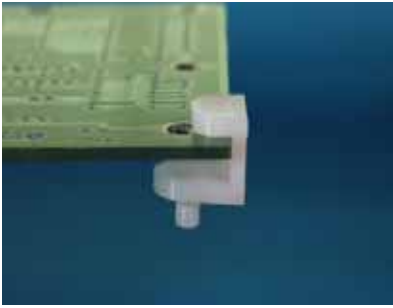


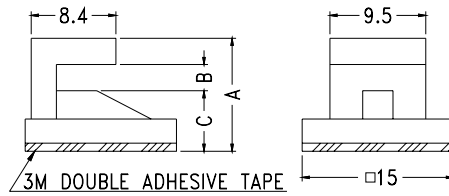
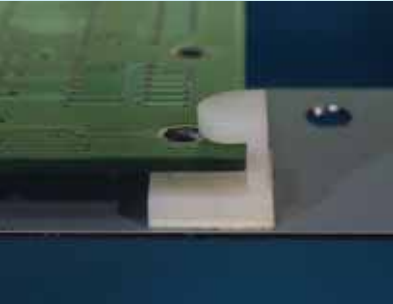
SPACER SUPPORT - PCB Hold Type

Hankook Fastener

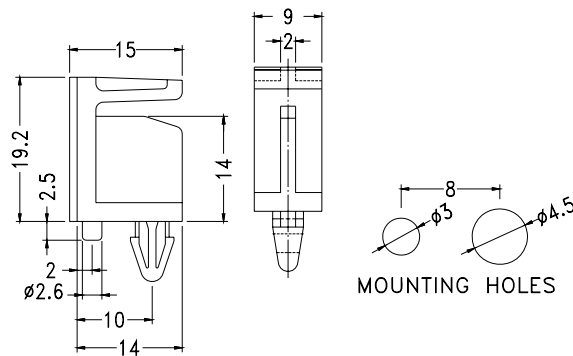
- ◆ MATERIAL: NYLON 66(UL)
- ◆ FLAME CLASS :94V-2
- ◆ COLOR:NATURAL
- ◆ UNIT:mm



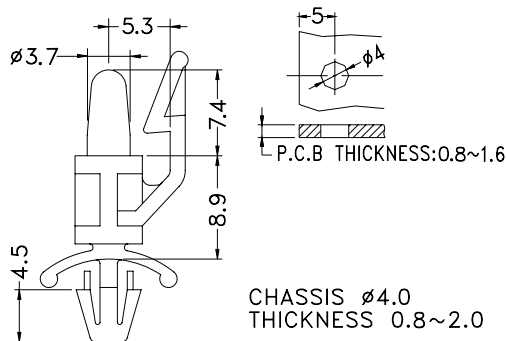
PART NO	PACKAGE
UB-6E	1000



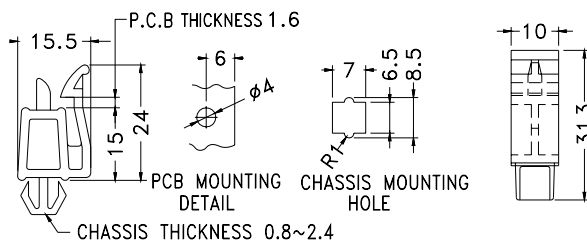
PART NO	A	B	C	PACKAGE
UB-6A	11.2	2.6	5.9	1000
UB-8A	12.7	2.4	7.8	
UB-10A	14.9	2.5	9.9	
UB-11A	15.8	2.5	10.8	
UB-12A	16.9	2.5	11.9	



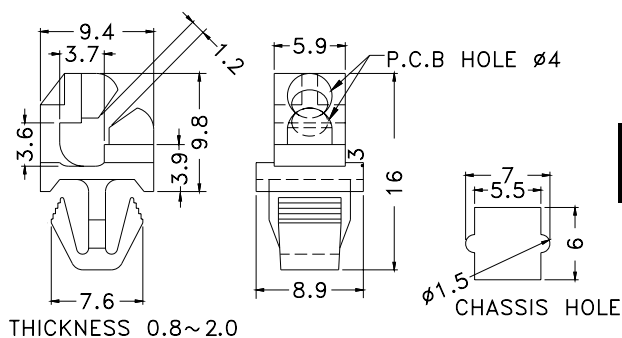
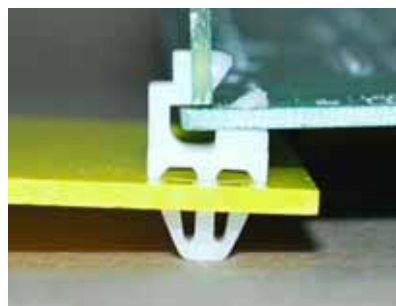
PART NO	PACKAGE
UB-14D	1000



PART NO	PACKAGE
ULCE-9	1000



PART NO	PACKAGE
KES-15	500



PART NO	PACKAGE
LCMM-4	1000

THICKNESS 0.8~2.0
A-25