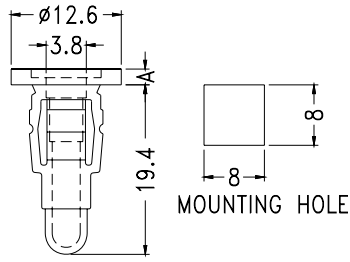


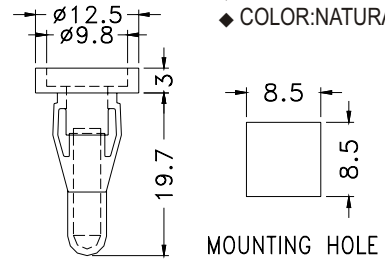
SPACER SUPPORT - Square Hole Type

Hankook Fastener

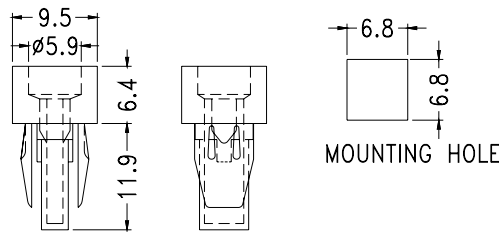
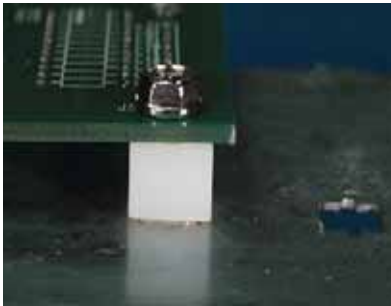
- ◆ MATERIAL: NYLON 66(UL)
- ◆ FLAME CLASS :94V-2
- ◆ COLOR:NATURAL



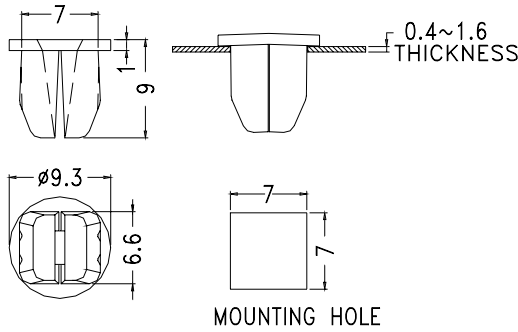
| PART NO | A | PACKAGE |
|---------|-----|---------|
| YES-08 | 0.8 | 500 |
| YES-32 | 3.2 | |
| YES-48 | 4.8 | |



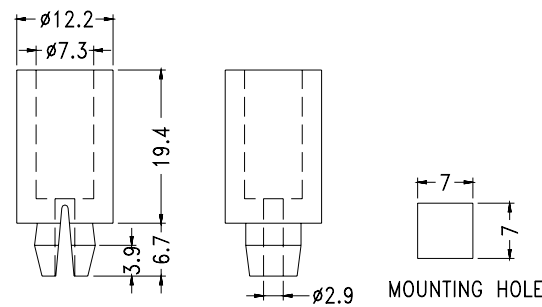
| PART NO | PACKAGE |
|---------|---------|
| YES-3 | 500 |



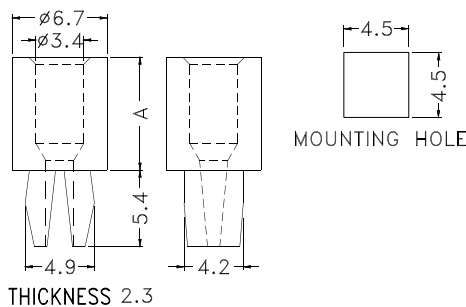
| PART NO | PACKAGE |
|---------|---------|
| ES-1 | 1000 |



| PART NO | PACKAGE |
|---------|---------|
| ESS-1 | 1000 |



| PART NO | PACKAGE |
|---------|---------|
| ESS-19 | 1000 |

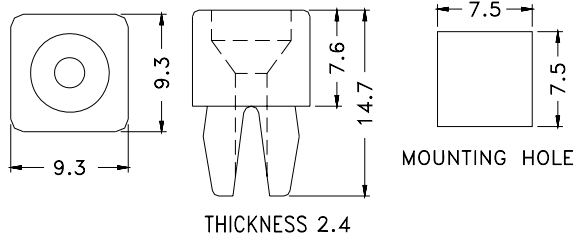
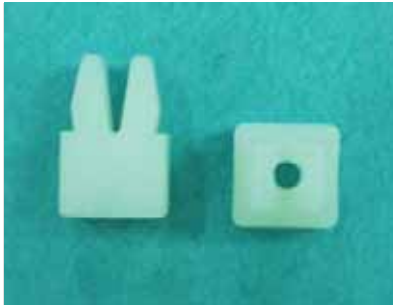


| PART NO | A | PACKAGE |
|---------|------|---------|
| ETS-3.2 | 3.2 | 2000 |
| ETS-4.8 | 4.8 | |
| ETS-6.3 | 6.3 | 1000 |
| ETS-8 | 8.0 | |
| ETS-10 | 10.0 | |
| ETS-12 | 12.7 | |
| ETS-16 | 15.9 | |
| ETS-19 | 19.1 | |

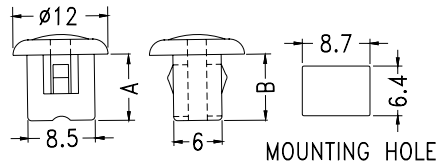
SPACER SUPPORT - Square Hole Type

Hankook Fastener

- ◆ MATERIAL: NYLON 66(UL)
- ◆ FLAME CLASS :94V-2
- ◆ COLOR:NATURAL
- ◆ UNIT:mm



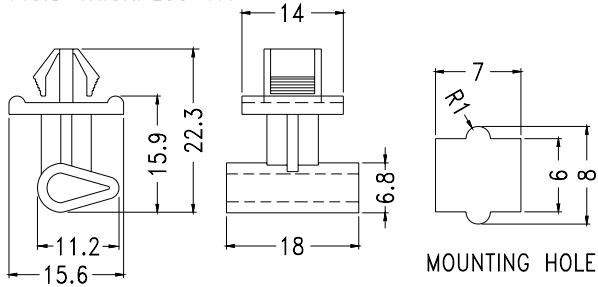
| PART NO | PACKAGE |
|---------|---------|
| ESS-7.6 | 1000 |



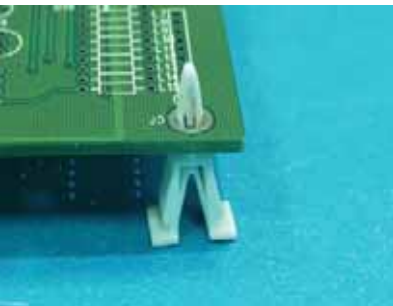
| PART NO | A | B | PACKAGE |
|---------|------|------|---------|
| LHC-8 | 8.4 | 10.8 | 1000 |
| LHC-12 | 12.5 | 14.9 | |



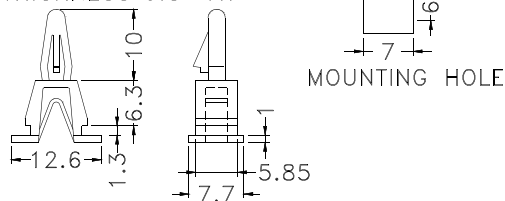
P.C.B THICKNESS 1.6



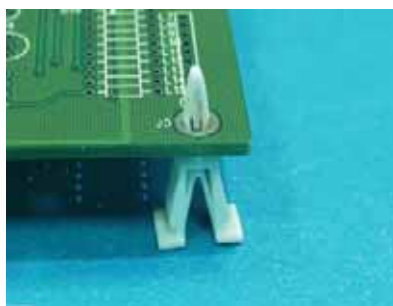
| PART NO | PACKAGE |
|---------|---------|
| PS-16 | 500 |



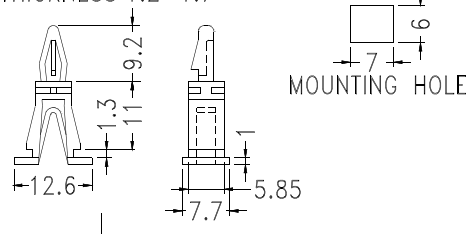
P.C.B ϕ 4
THICKNESS 0.8~1.7



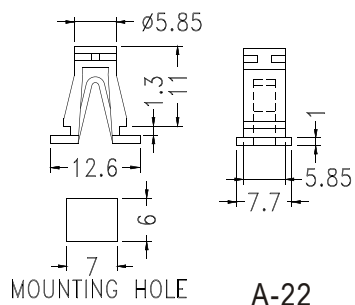
| PART NO | PACKAGE |
|---------|---------|
| PCC-6 | 2000 |



P.C.B ϕ 4.0
THICKNESS 1.2~1.7



| PART NO | PACKAGE |
|---------|---------|
| PCC-11 | 1000 |



| PART NO | PACKAGE |
|---------|---------|
| PAA-11 | 1000 |