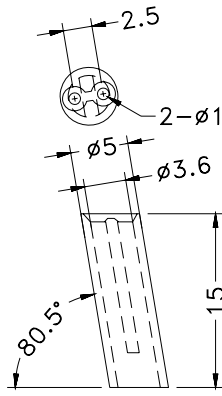


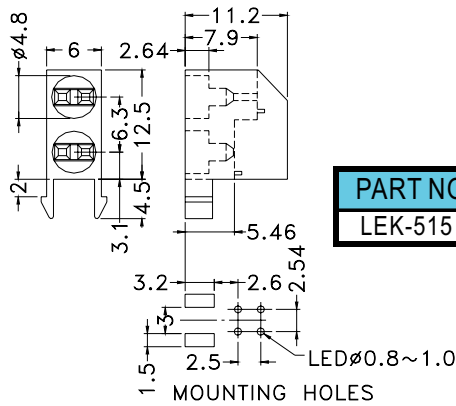
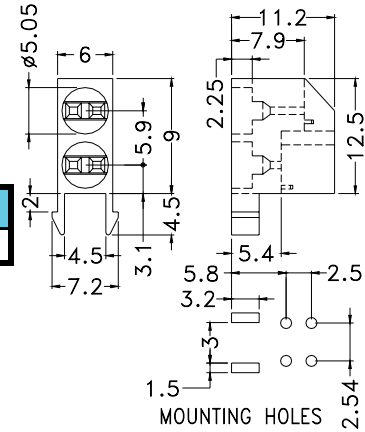
- ◆ MATERIAL: NYLON 66(UL)
- ◆ FLAME CLASS :94V-2
- ◆ COLOR: NATURAL
- ◆ UNIT: mm



PART NO	PACKAGE
LEDA-15	1000



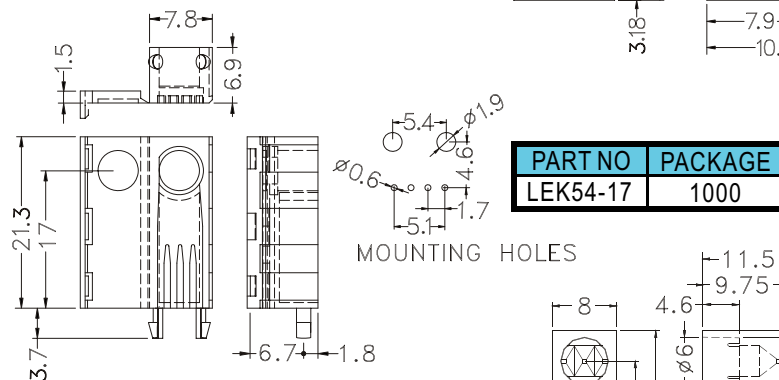
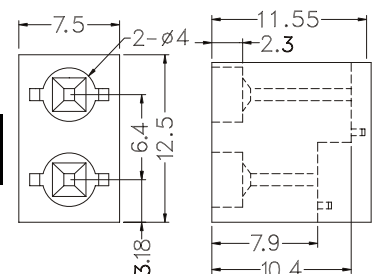
PART NO	PACKAGE
LEK-512	1000



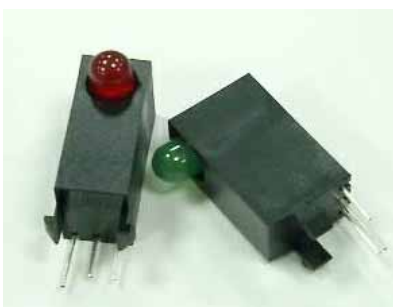
PART NO	PACKAGE
LEK-515	1000



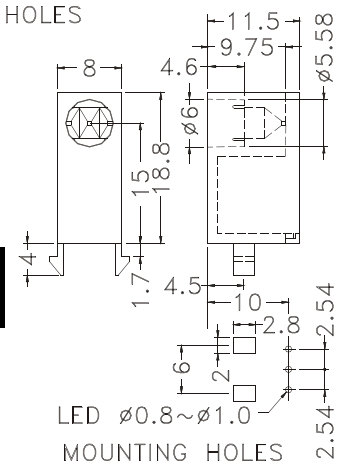
PART NO	PACKAGE
LED-342	1000



PART NO	PACKAGE
LEK54-17	1000



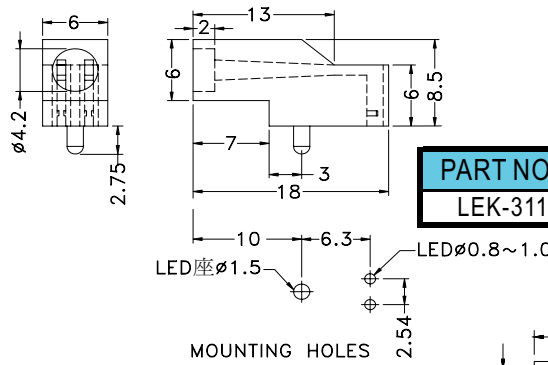
PART NO	PACKAGE
LEK-517	1000



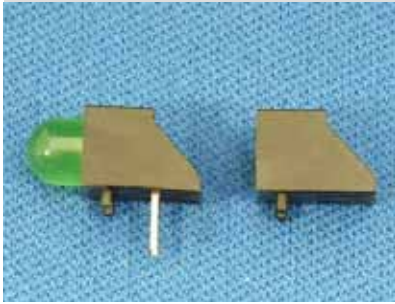
90° LED SPACER SUPPORT

Hankook Fastener

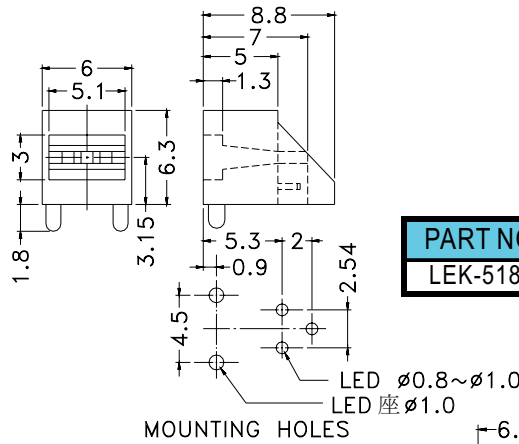
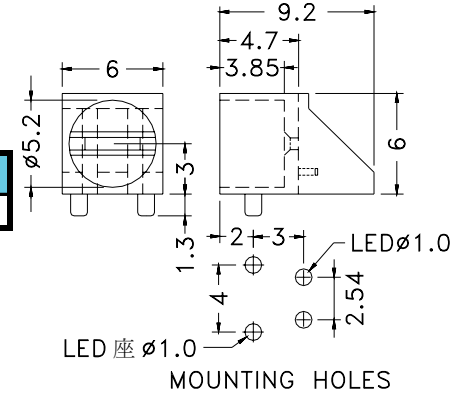
- ◆ MATERIAL: NYLON 66(UL)
- ◆ FLAME CLASS :94V-0
- ◆ COLOR:BLACK
- ◆ UNIT:mm



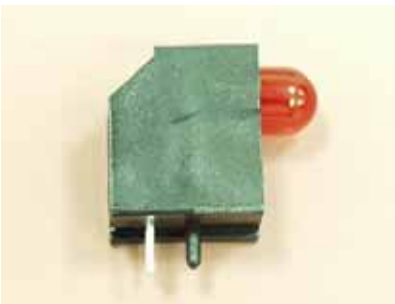
PART NO	PACKAGE
LEK-311	1000



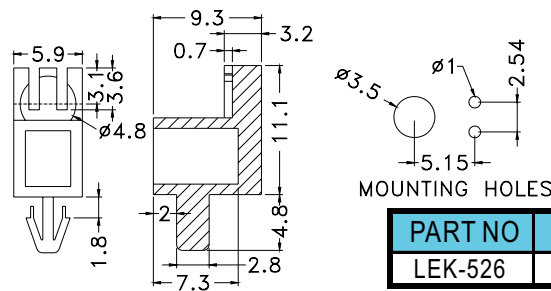
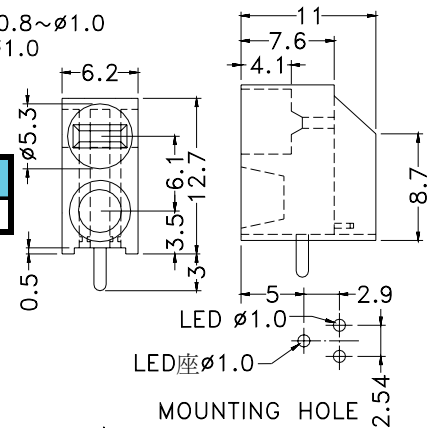
PART NO	PACKAGE
LEK-516	2000



PART NO	PACKAGE
LEK-518	1000

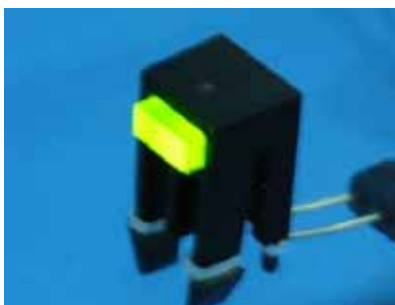


PART NO	PACKAGE
LEK-525	1000

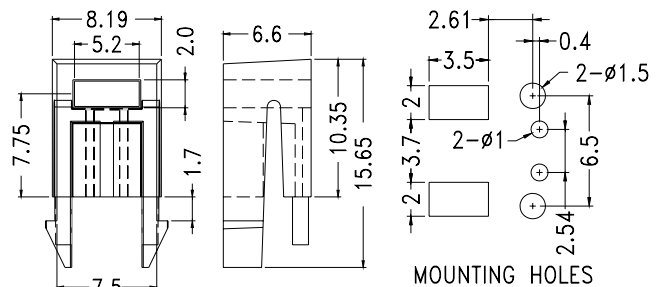


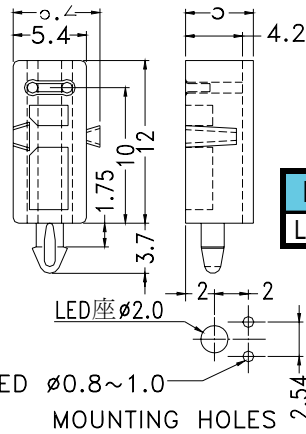
PART NO	PACKAGE
LEK-526	1000

CHASSIS ϕ 3.5
THICKNESS 0.8~1.6



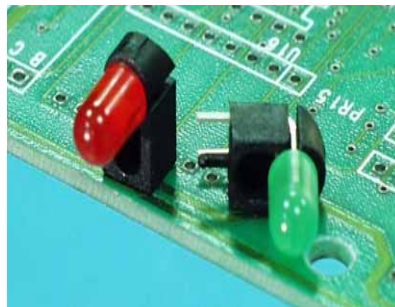
PART NO	PACKAGE
LEK-520	1000



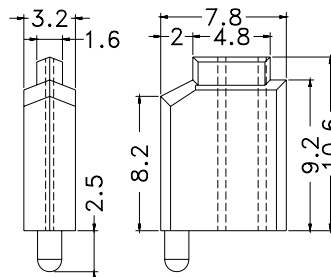
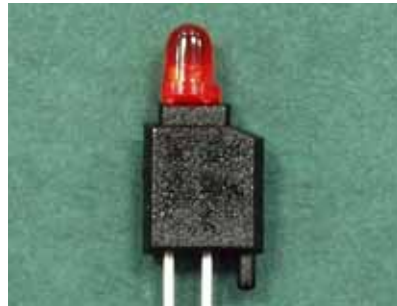
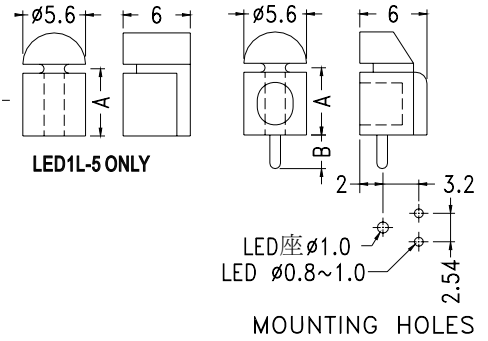


PART NO	PACKAGE
LEKH-6301	1000

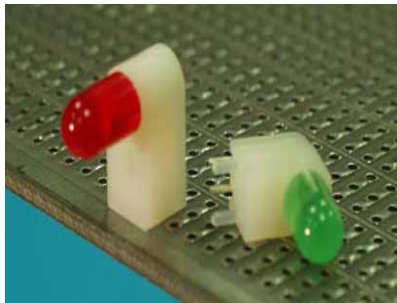
- ◆ MATERIAL: NYLON 66(UL)
- ◆ FLAME CLASS :94V-2
- ◆ COLOR:BLACK/NATURAL
- ◆ UNIT:mm



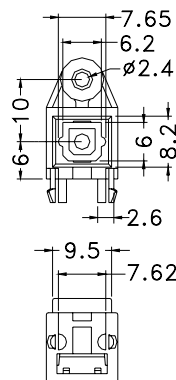
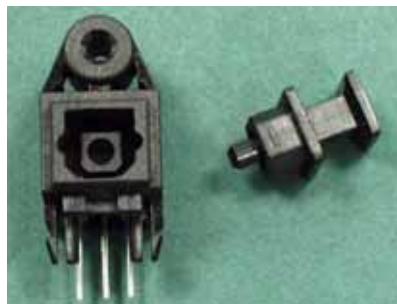
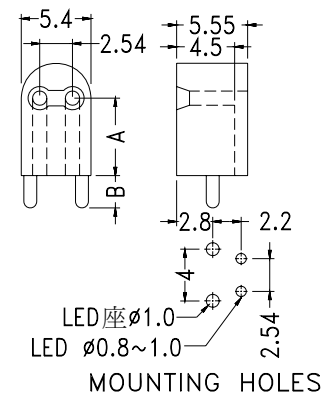
PART NO	A	B	PACKAGE
LED1L-5	5.0	3.0	2000
LED1L-6	6.0		
LED1L-7	7.0		
LED1L-8	8.0		
LED1L-9	9.0	2.5	1000
LED1L-10	10.0		



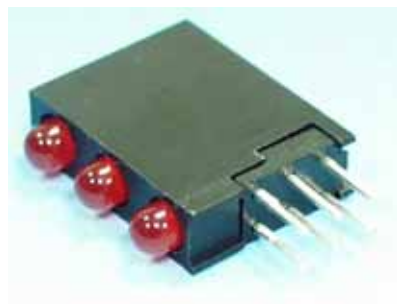
PART NO	PACKAGE
LEDR-1	1000



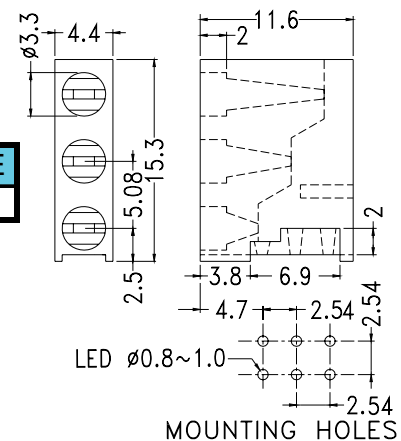
PART NO	A	B	PACKAGE
LEKH-3	3.0	2.9	1000
LEKH-4.5	4.5	2.5	
LEKH-6	6.0		
LEKH-7	7.0	2.9	
LEKH-9	9.0		
LEKH-10	10.0		



PART NO	PACKAGE
PLT130T	1000



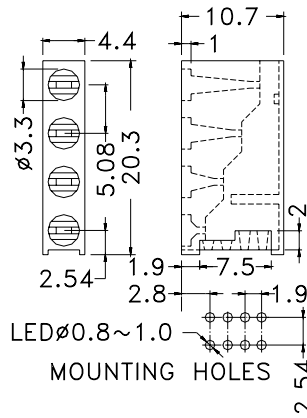
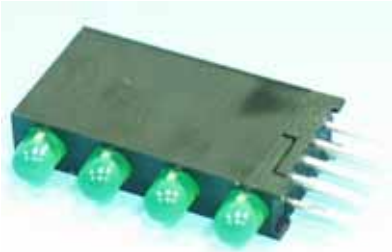
PART NO	PACKAGE
LH-330	1000



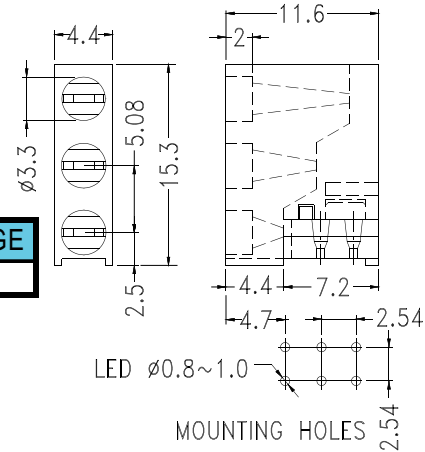
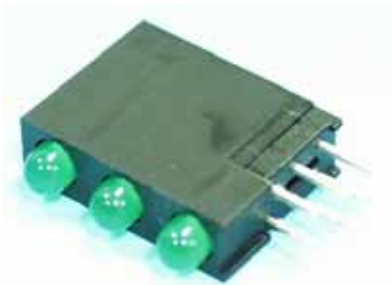
90 ° LED SPACER SUPPORT

Hankook Fastener

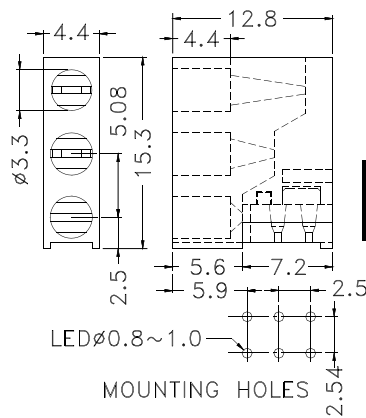
- ◆ MATERIAL: NYLON 66(UL)
- ◆ FLAME CLASS :94V-2
- ◆ COLOR: BLACK
- ◆ UNIT: mm



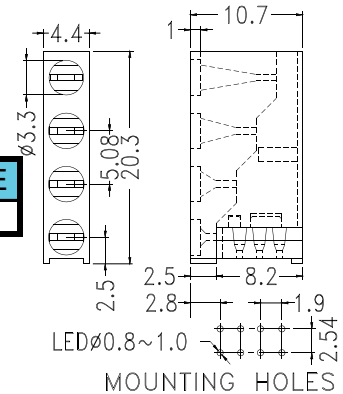
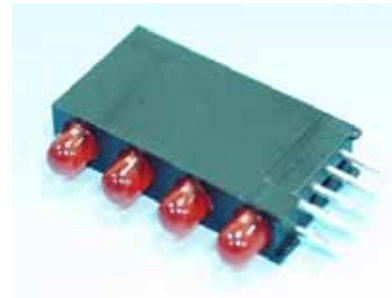
PART NO	PACKAGE
LH-340	1000



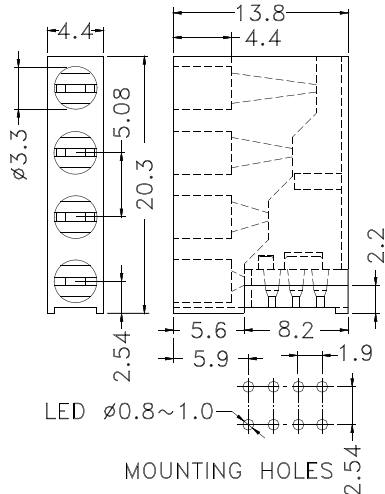
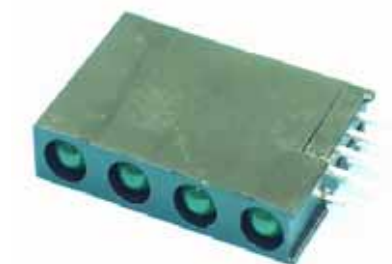
PART NO	PACKAGE
KLH-330	1000



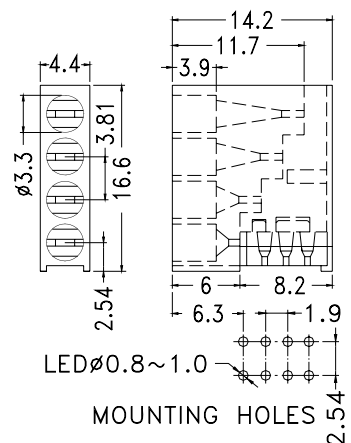
PART NO	PACKAGE
KLH-331	1000



PART NO	PACKAGE
KLH-340	1000



PART NO	PACKAGE
KLH-341	1000



PART NO	PACKAGE
KLH-342	1000