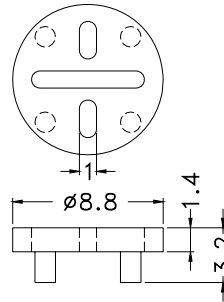


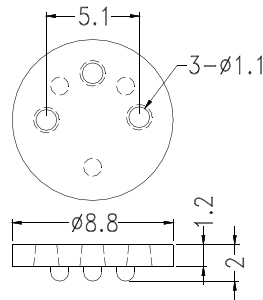
- ◆ MATERIAL: POM
- ◆ FLAME CLASS :94HB
- ◆ COLOR: BLACK
- ◆ UNIT: mm

PART NO	PACKAGE
RSUA-1B	1000



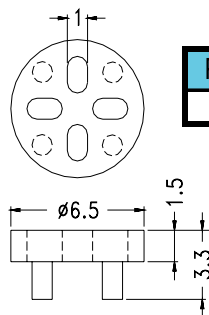
- ◆ MATERIAL: P.B.T(UL)
- ◆ FLAME CLASS :94V-0
- ◆ COLOR: NATURAL
- ◆ UNIT: mm

PART NO	PACKAGE
TO-05	1000



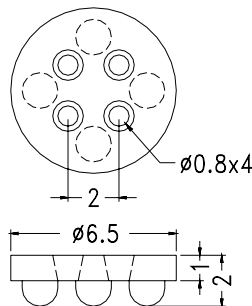
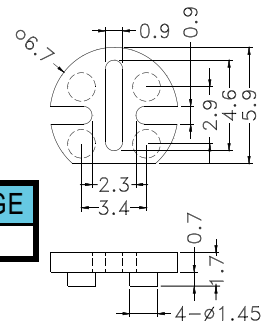
- ◆ MATERIAL: NYLON 66(UL)
- ◆ FLAME CLASS :94V-2
- ◆ COLOR: NATURAL
- ◆ UNIT: mm

PART NO	PACKAGE
TO-05S	2000

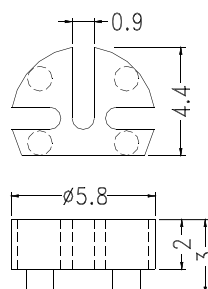
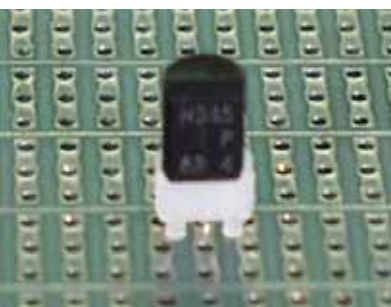


PART NO	PACKAGE
TO-18	1000

PART NO	PACKAGE
TO-18S	1000



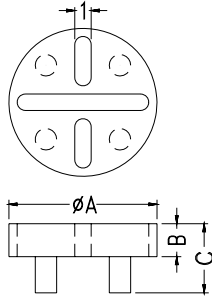
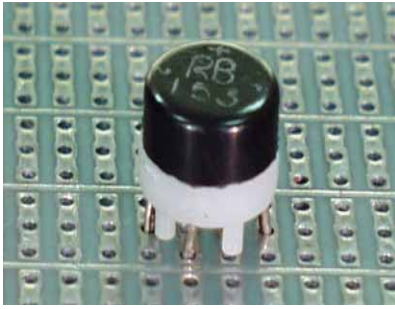
PART NO	PACKAGE
TO-18M	2000



PART NO	PACKAGE
TO-92	2000

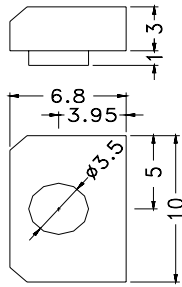
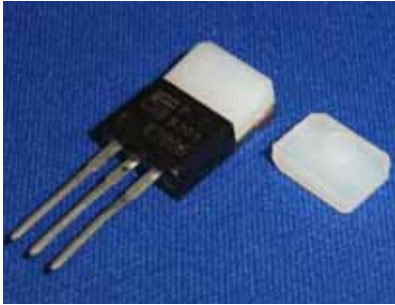
Electronic Component - TR WASHER

Hankook Fastener



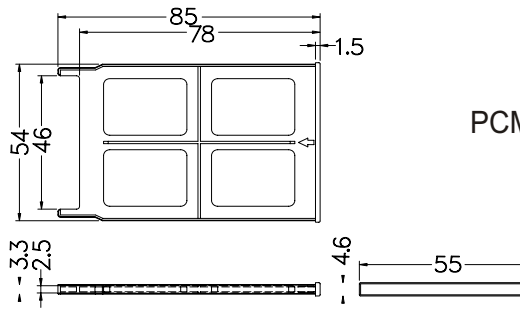
- ◆ MATERIAL: NYLON 66(UL)
- ◆ FLAME CLASS :94V-2
- ◆ COLOR:NATURAL
- ◆ UNIT:mm

PART NO	A	B	C	PACKAGE
BW-1	9.0	2.0	4.2	2000
BW-2	14.0	1.0	2.1	



PART NO	PACKAGE
TRF-1	2000

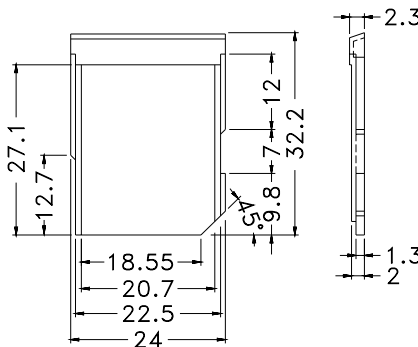
Electronic Component - SOCKET / Switch CVR



- ◆ MATERIAL: ABS (UL)
- ◆ COLOR:BLACK
- ◆ UNIT:mm

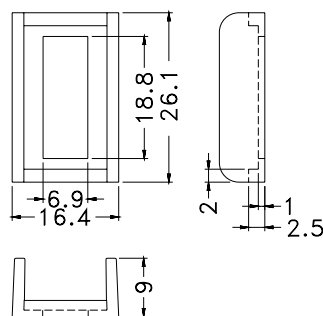
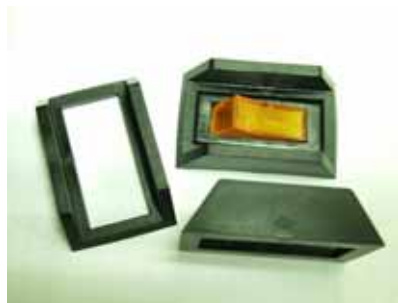
PCM CIA Card Socket Cover

PART NO	PACKAGE
PCMIC-1	500

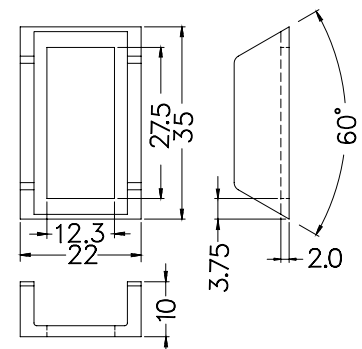


SD Card Socket Cover

PART NO	PACKAGE
SD-24	500



Switch Cover



PART NO	PACKAGE
SCAB-7	500

PART NO	PACKAGE
SCAB-12	500