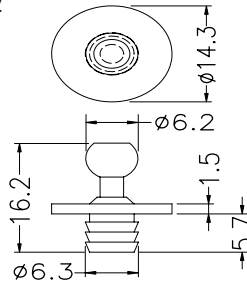


Loud speaker Buckle



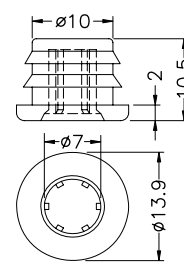
- ◆ MATERIAL: NYLON 66(UL)
- ◆ FLAME CLASS :94V-2
- ◆ COLOR:BLACK
- ◆ UNIT:mm

CHASSIS $\phi 6.1$
THICKNESS 6.4



PART NO	PACKAGE
SPLK-1FB	500

- ◆ MATERIAL:TPE
- ◆ COLOR:BLACK
- ◆ UNIT:mm

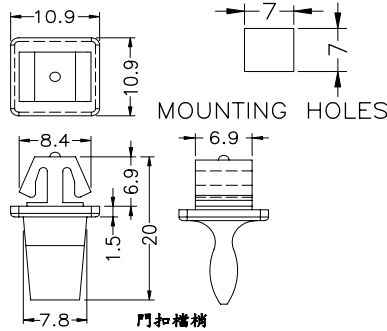


CHASSIS $\phi 10.5$
THICKNESS 2.5

PART NO	PACKAGE
SPLK-1FA	500

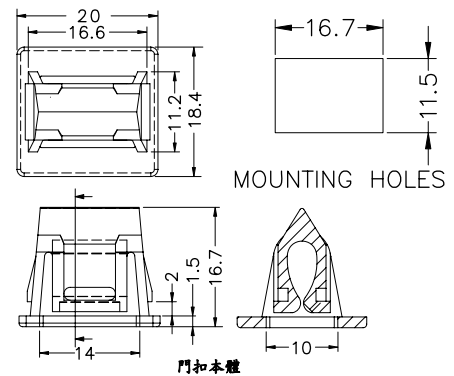


- ◆ MATERIAL: NYLON 66(UL)
- ◆ FLAME CLASS :94V-2
- ◆ COLOR:BLACK
- ◆ UNIT:mm

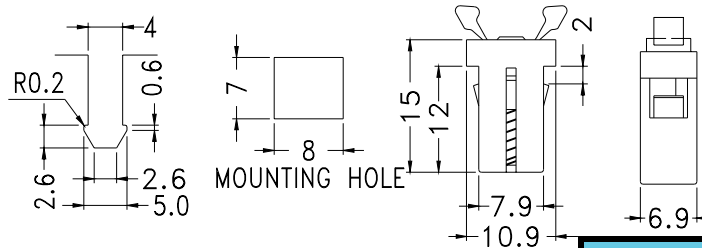


PART NO	PACKAGE
DTTL-1B	500

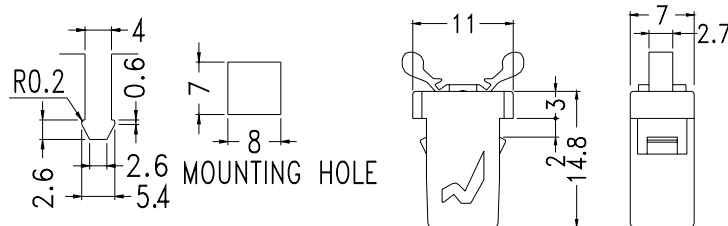
- ◆ MATERIAL:POM
- ◆ COLOR:BLACK
- ◆ UNIT:mm



PART NO	PACKAGE
DTTL-1A	500



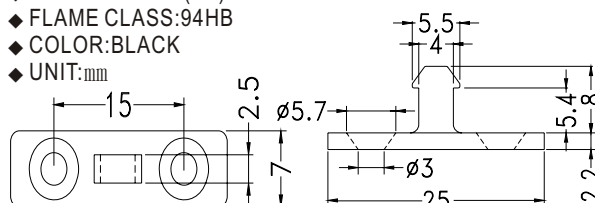
PART NO	PACKAGE
DT-1	500



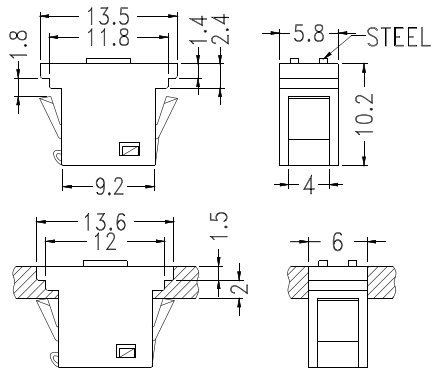
PART NO	PACKAGE
DT-4	500



- ◆ MATERIAL:ABS(UL)
- ◆ FLAME CLASS:94HB
- ◆ COLOR:BLACK
- ◆ UNIT:mm



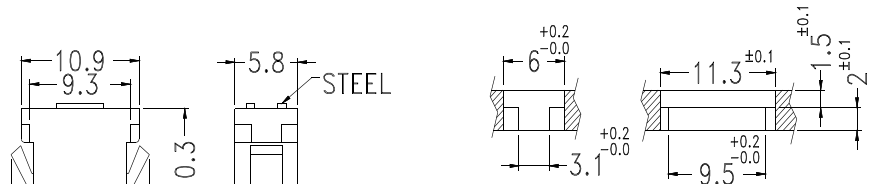
PART NO	PACKAGE
DTA-1	500



- ◆ MATERIAL: NYLON 66(UL)94V-2
- ◆ CLIP MATERIAL: SP
- ◆ COLOR: BLACK
- ◆ UNIT: mm

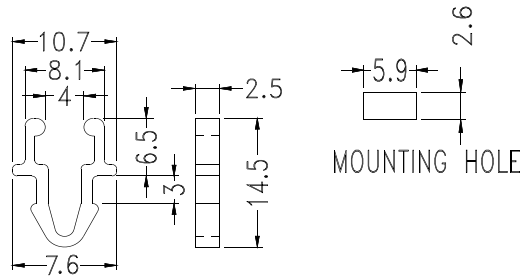
PART NO	PACKAGE
DTM-1	500

MOUNTING HOLE



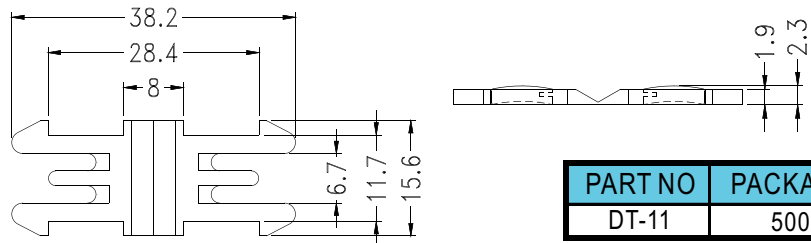
MOUNTING HOLE

PART NO	PACKAGE
DTM-2	500

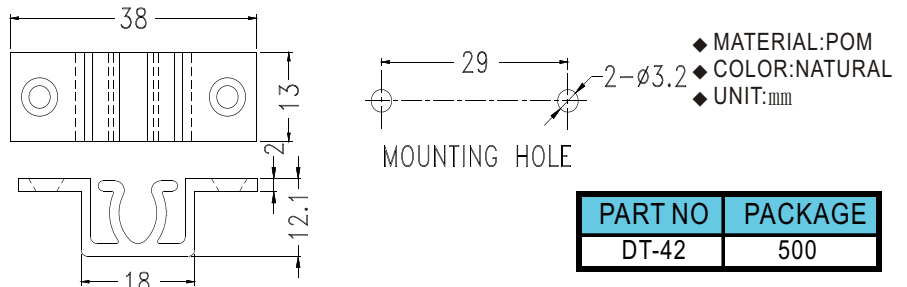


MOUNTING HOLE

PART NO	PACKAGE
DT-10	2000

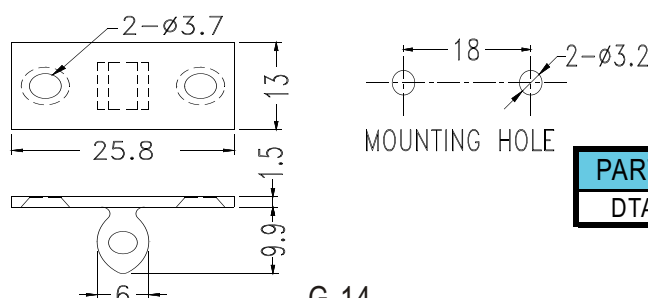


PART NO	PACKAGE
DT-11	500



MOUNTING HOLE

PART NO	PACKAGE
DT-42	500



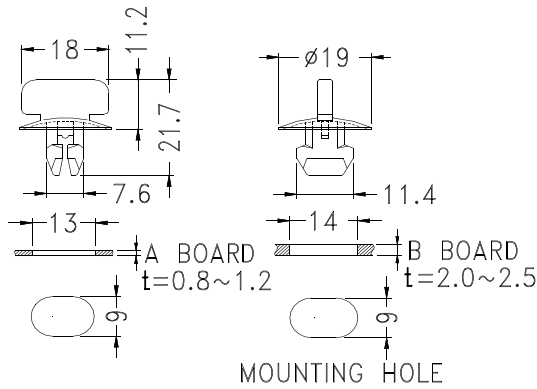
MOUNTING HOLE

PART NO	PACKAGE
DTA-42	500

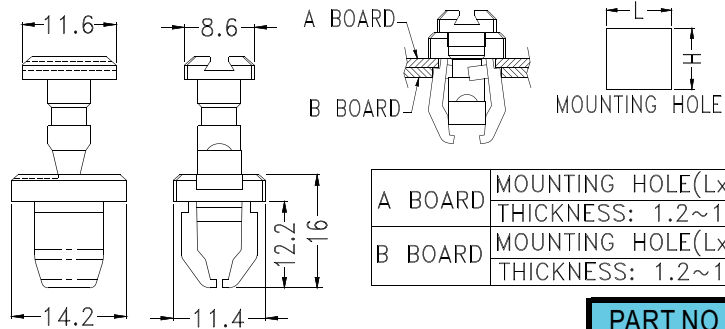
Plastic Fastener - DOOR LOCK

Hankook Fastener

- ◆ MATERIAL: NYLON 66(UL)
- ◆ FLAME CLASS: 94V-2
- ◆ COLOR: BLACK
- ◆ UNIT: mm

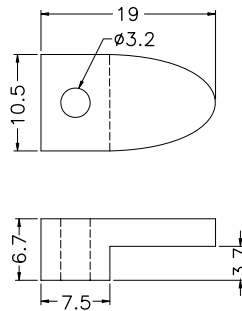
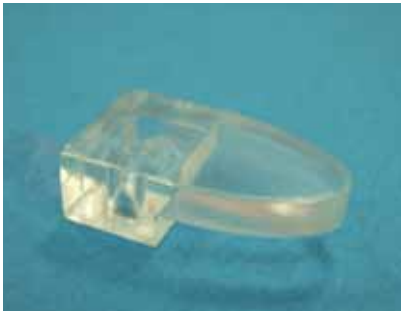


PART NO	PACKAGE
TF-1	200



A BOARD	MOUNTING HOLE(LxH): 9.0x9.0 THICKNESS: 1.2~1.5
B BOARD	MOUNTING HOLE(LxH): 9.5x9.0 THICKNESS: 1.2~1.5

PART NO	PACKAGE
TFA-2	200



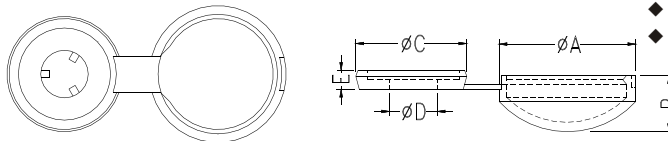
- ◆ MATERIAL: PMMA
- ◆ FLAME CLASS: HB
- ◆ COLOR: TRANSPARENT
- ◆ UNIT: mm

PART NO	PACKAGE
HW2839	1000

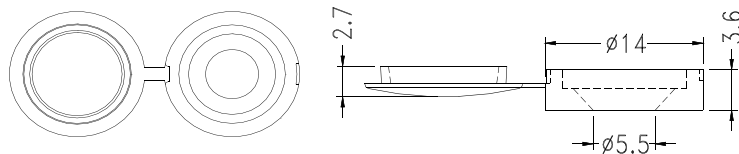
Plastic Fastener - Screw Cap

Hankook Fastener

- ◆ MATERIAL: NYLON 66 (UL)
- ◆ FLAME CLASS: 94V-2
- ◆ COLOR: WHITE/BLACK
- ◆ UNIT: mm



PART NO	A	B	C	D	E	PACKAGE
SCW-1	9.8	4.1	8.0	3.3	1.3	1000
SCW-2	13.3	4.1	11.6	4.3	1.4	



PART NO	PACKAGE
SCW-3	1000